

ATV RESCUE

Assembly Instructions & Operations Handbook

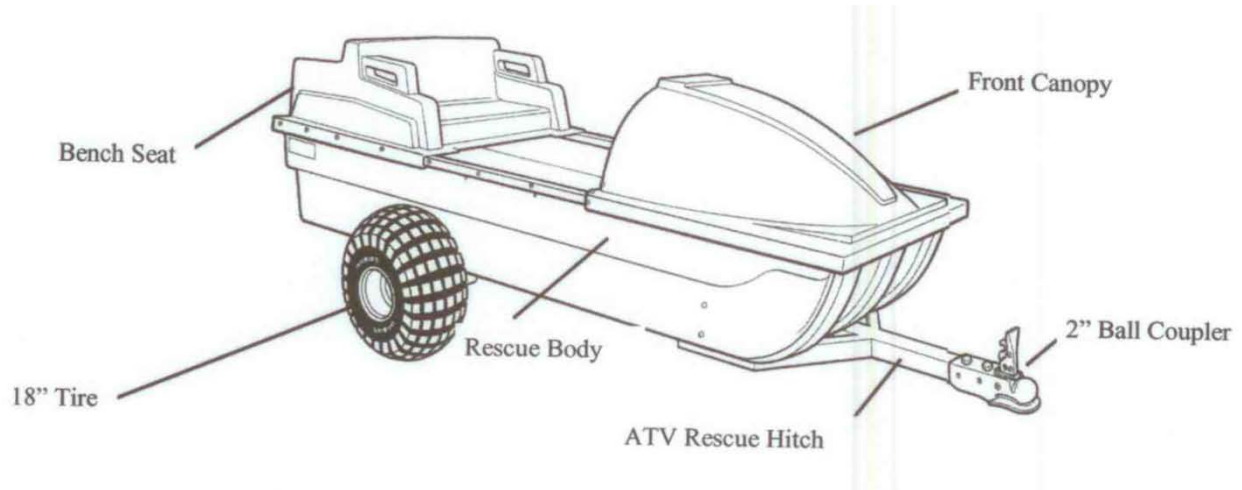
Congratulations!

You are the owner of the most advanced Remote-Rescue Unit available today. Your ATV Rescue is partially knocked-down for easy shipment, so some assembly is required. Follow the simple instructions inside.

IMPORTANT: Save these instructions – DO NOT DISCARD

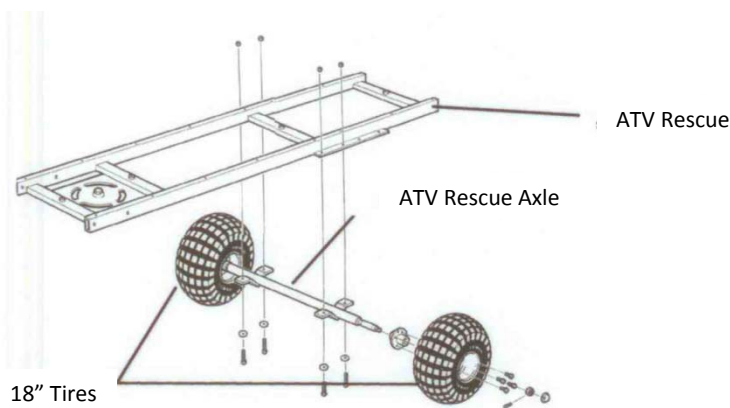


ATV Rescue Assembly



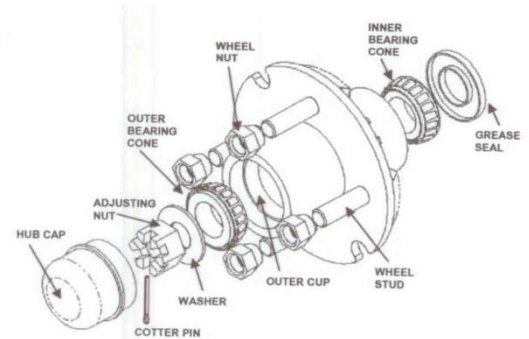
Step 1: Axle Assembly

Remove the bench seat and front canopy and turn the rescue body over. Mount the rear ATV Axle to the front holes as shown using a $\frac{3}{8}$ " x $1 \frac{1}{4}$ " grade 8 bolt and a $\frac{3}{8}$ " Nylon Locknuts.



Step 2: Hub Assembly

The hubs will come partially assembled, slide the hub onto the spindle of the axle. Slide the outer bearing onto the spindle. **If there is a $\frac{3}{4}$ " spindle you will need to add the spindle washer. However, if the spindle is 1" in diameter the washer is not necessary.** Screw on the adjusting nut and secure with cotter pin. Push dust caps on.



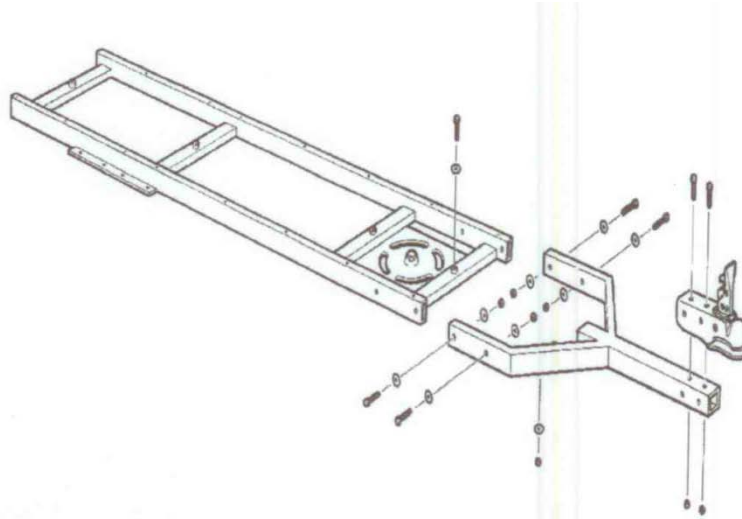
Before using make sure that the hubs are filled with grease!

Step 3: Tire Assembly

Line the holes of the rim up to the bolts and slide on the 18" tire. Secure the tire to the hub using the supplied hub nuts.

Step 4: Hitch Assembly

Attach the hitch with (4) ½" x 3 ¼" Hex bolts and ½" Nylon Locknuts as shown below.



Step 5: 2" Ball Coupler

Place the 2" Ball Coupler onto the hitch and line up the holes, insert the ½" x 3 ¼" Hex bolts into each hole and secure with ½" Nylon Locknuts.

Step 6: Installing Brake/Tail-Light Wiring Connection

Splice the jumper harness to the appropriate wire (detail below) on the ATV using the connectors provided. Secure the jumper harness to the harness on the ATV and test by turning on the snowmobile and applying the brake.

NOTE: The table below lists the functions of the Rescue Harness.

| <u>Function</u> | <u>Rescue</u> |
|-----------------|---------------|
| Ground | Yellow |
| Running | Green |
| Brake | Brown |



OPERATING AND MAINTENANCE INSTRUCTIONS

1. Before using, always inspect your Rescue for damage and check to see that safety features such as the lights are operating properly.
2. Always insure that the safety chain is connected to the tow vehicle, as close to the hitch as is practical.
3. The additional weight of the Rescue will change the handling and braking characteristics of the towing snowmobile. Adjust speed and maneuvers accordingly. Remember the cutter Gross Vehicle Weight (GVW) under maximum load is approximately 1,100lbs. (See specifications for more details)
4. Towing speeds should not exceed 20mph (33km/h) at any time and extra caution should be taken when negotiating moguls, riding in ditches, crossing culverts, driveways, roads or passing between obstacles. Be aware of overhanging obstacles.
5. NEVER make high-speed turns, particularly on sloped surfaces or embankments.
6. Passengers should always wear approved helmets.
7. Passengers should not ride standing neither up nor on the outside of the Rescue any time.
8. The Rescue is not heated: Remember passengers should dress to prevent wind-chill.
9. DO NOT OVERLOAD THE RESCUE/ Recommended maximum capacity is two attendants and one patient at a maximum of 800lbs.
10. Never spin the snowmobile track while towing the Rescue. Even though the canopy blocks wind and blowing snow, injury to the passengers from debris could occur.

Clean and Protect

Wipe down the Rescue body with a damp cloth and a mild soap.

ATV RESCUE ASSEMBLY PARTS

| <u>Qty</u> | <u>Description</u> |
|------------|--|
| 1 | Wiring Harness |
| 1 | Rescue Body |
| 1 | Frame – Rescue |
| 2 | Restraint Belts |
| 1 | Front Canopy |
| 1 | Bench |
| 1 | Hitch – ATV |
| 1 | Axle w/Spindles |
| 1 | Ball Hitch (2" Coupler) |
| 2 | Hub 4 Bolt |
| 2 | Tire & Rim w/Valve Stem (18") |
| 4 | $\frac{3}{8}$ " x 1 $\frac{1}{4}$ " Fine Thread Hex Bolt Grade 8 |
| 8 | $\frac{3}{8}$ " Flat Washers |
| 4 | $\frac{3}{8}$ " Nylon Locknuts |
| 6 | $\frac{1}{2}$ " x 3 $\frac{1}{4}$ " Hex Head Bolts |
| 8 | $\frac{1}{2}$ " Flat Washers |
| 6 | $\frac{1}{2}$ " Nylon Locknuts |

AVAILABLE ACCESSORIES

| <u>Part #</u> | <u>Description</u> |
|---------------|--|
| BG-R1078 | Adjustable Backrest Emergency Stretcher w/Wheels |
| BG-C0581 | Passenger Canvas Cover |
| BG-C0582 | Transport Canvas Cover |
| BG-R1079-18 | Backboard |
| BG-S1269 | Ski-Skins |
| BG-SD5025 | Restraint Belts |

For assistance or additional information please contact us:

Equinox Industries Ltd.
401 Chrislind Street
Winnipeg, MB R2C 5G4
Canada

Toll Free in Canada: 1-800-665-7487
Toll Free in USA: 1-800-563-3352

www.egnx.biz